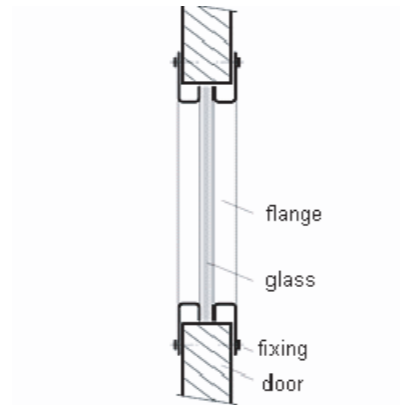


IA patrijspooten

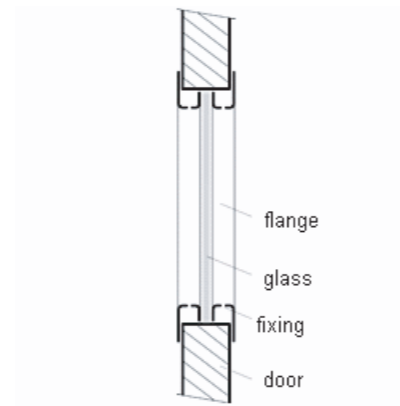
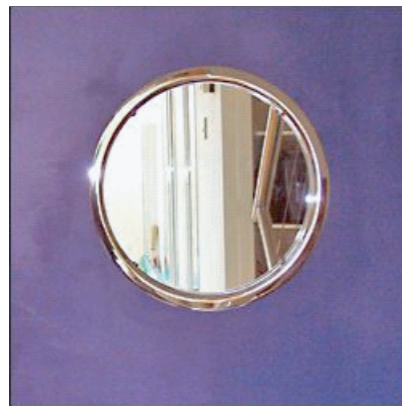
Frontale bevestiging:



OVERALL DIA	VIEWING APERTURE	CUT OUT
170	100	122
220	150	172
270	200	222
320	250	272
380	300	327
470	400	422
540	450	472

* Add 3mm to cut out Dia for fire doors

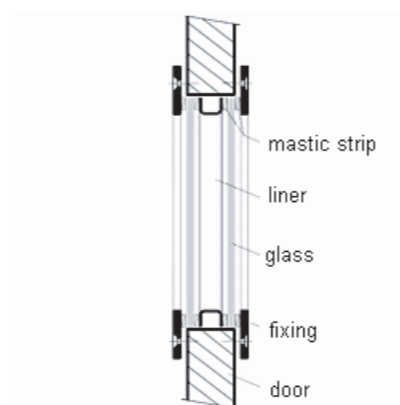
Zijdelinkse bevestiging:



OVERALL DIA	VIEWING APERTURE	CUT OUT
135	100	122
200	150	172
235	200	222
285	250	272
340	300	327
450	400	422
500	450	472

* Add 3mm to cut out Dia for fire doors

Dubbele beglazing:



OVERALL DIA	VIEWING APERTURE	CUT OUT
220	150	172
300	200	222
400	300	327
500	400	422
600	500	522

Other sizes made to order up to 1000 mm diameter.

* Add 3mm to cut out Dia for fire doors