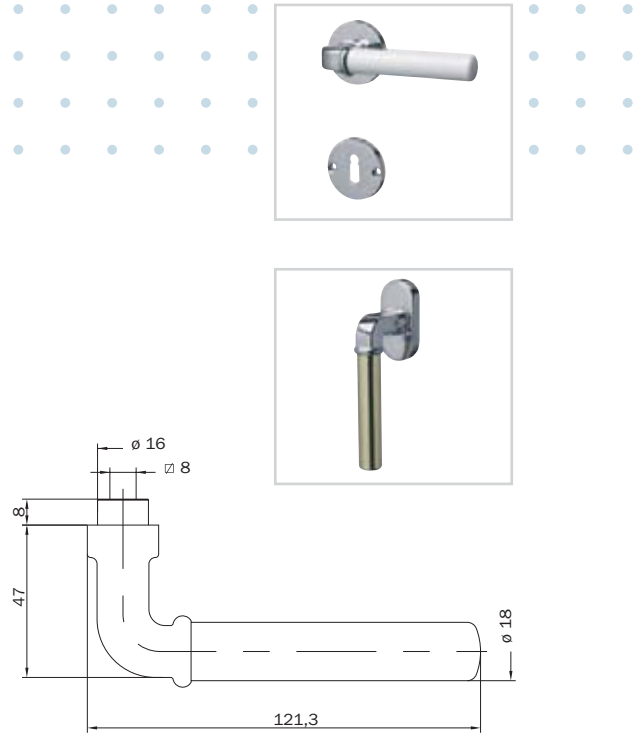


# Drücker - Garnituren

Garnitures de poignées / Sets of Lever Handles

32.210



MATERIAL/ OBERFLÄCHE	Drücker	Langschild	Rosette	Schild	Fenstergriff	Rasterrosette	Griffstück
MATÉRIAU/ FINITION	Poignée	Entrée longue	Rosace	Entrée	Poignée de fenêtre	Rosace modulaire	Douille de poignée
MATERIAL/ SURFACE FINISH	Lever Handle	Long Plate	Rose	Escutcheon	Handle for Window	Spindle Rose	Grip Part
	32.210	35.440	34.130	34.132 - 138	32.210/41.405	41.405	
Zink - Zinc - Zinc	●	●	●	●	●		
Messing - Laiton - Brass				●	●	●	●
matt vernickelt mat nickelé satin nickeled	●	●	●	●	●	●	●
matt verchromt mat chromé satin chromed	●	●	●	●	●	●	●
poliert vernickelt poli nickelé polished nickeled	●	●	●	●	●	●	●
poliert verchromt poli chromé polished chromed	●	●	●	●	●	●	●
poliert lackiert poli laqué polished varnished			●	●		●	●
velours verchromt velours chromé velours chromed						●	●
RAL 9010 Reinweiss RAL 9010 Blanc pur RAL 9010 Pure white			●	●		●	●
RAL 9011 Graphitschwarz RAL 9011 Noir graphite RAL 9011 Graphite black							●

**MEGA**